



Model DS3000

Optical Flap Turnstile

DS3000 flap turnstile is an indoor and outdoor solution to control access at high-end sites like college, company offices and building. Mainly material is full brushed stainless steel and black painting for decoration.

For the body, it's arc shape cabinet, no any angle, which make it safer to prevent people from injury. It's with unique bright, long and slim LED indication bar at front. On top side also place a LED indicator to show entry denied or accepted.

There are total 6 pair infrared sensors (standard) for alarm function to ensure security. It has standard relay signal, which can be integrated with any kind of third-party access control system and device, RFID reader and fingerprint, for instance.

Features

- Two way or one way working.
- Support integrated with any type of access control systems.
- Support 850mm width passage for wide lane.
- Fast open speed, 45 person/min high throughput.
- Lower power consumption.
- Low noise, system runs smoothly.
- Green and red LED indicator display passing status.
- Indoor/outdoor(shelter) use.
- Fire safety requirements, arms retract automatically.
- Easy to install and maintain.
- 3 years warranty support.

Customized Service

- LED light strips(blue/green/red) display on the arm glass are optional.
- Appearance color can be customized based on installation environment.
- Dimensions can be customized to meet your request.
- Logo can be customized.
- Infrared sensor number optional.
- Picture: high resolution and scene picture can be customized.

Functions

- **Infrared sensor alarm function:**
in case of illegal intrusion and reverse intrusion.
- **Anti-intrusion function:**
the gate is locked automatically until valid opening signal input.
- **Anti-reverse function:**
the turnstile alarms if someone wants to entry in the reverse direction.
- **Anti-trailing function:**
the speed gate alarms if someone wants to burst in without permission.
- **Anti-collision and anti-kick function:**
it designed with consolidated and more durable mechanism, will not break even someone collide it.
- **Mechanism self-protection:**
the arm will reset automatically if off position. The movement will not be broken or damaged even hit.



Logo Custom



Anti-reverse Function



Wide Lane



Anti-trailing Alarm Function: the gate will forcefully close with an anti-tailgating alarm



Free Passage Memory Function: infrared sensors triggered multiple times for multiple passing



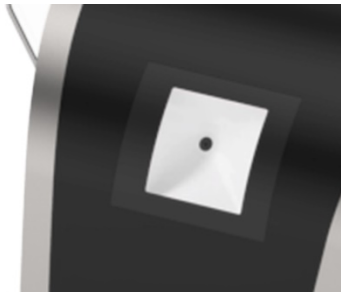
Fire Safety Requirements, Arms Retract Automatically

Access Control System

Daosafe turnstile gates can be well integrated with any 3rd party access control systems



Card Solution



QR/Bar Code Solution



Biometric Solution



Remote Control



Touchless Button



Card



QR Code



Fingerprint



Face



Palm Vein

Three lanes for card solution installed at library



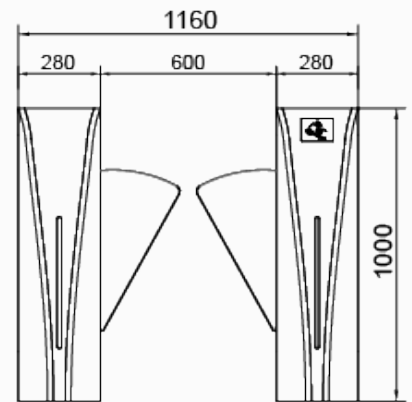
Specifications

Model No.	DS3000
Type	Optical Flap Turnstile
Brand	Daosafe
Framework Material	304 Stainless steel + stoving varnish
Arm material	Plexiglas–transparency
Dimension	1400 * 280 * 1000mm
Net Weight	70kg/pcs (single core), 85kg/pcs (double core)
Passage Width	600mm (standard lane) 850mm (wide lane)
Passing Direction	Single directional / Bi-directional
MCBF	10 million
Power Supply	AC220V/110V, 50/60Hz
Operation Voltage	24V DC
Power Consumption	40W
Operation Temperature	-20 °C – 75 °C
Operation Humidity	0 ~ 95% (No freeze)
Working Environment	Indoor / Outdoor (shelter)
Flow Rate	45 people per minute
LED Indicator	Two LED indicators on top: green → entry, red × no entry
Infrared Sensor	6 pairs (standard)
Emergency	Automatic arm open when power off
Communication	Dry contact, Relay signal, RS485
Flexibility	Integrate with any access control

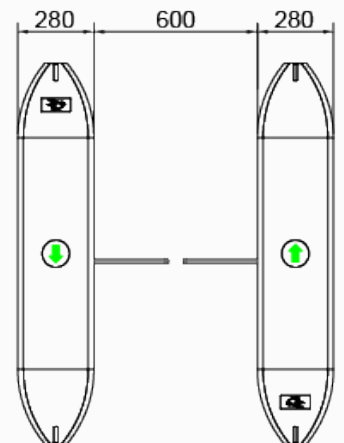


Standard Dimensions

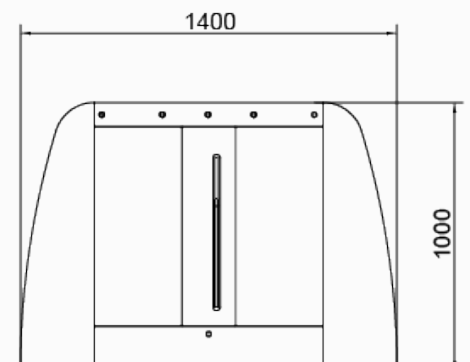
Front View



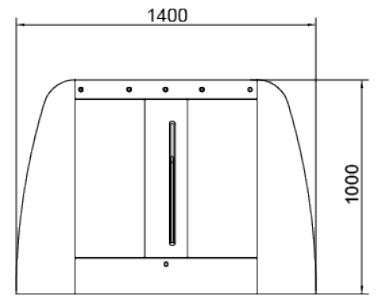
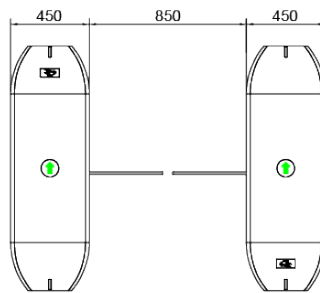
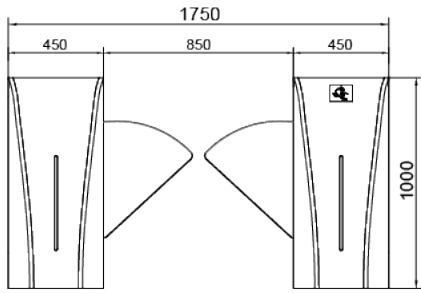
Top View



Side View



Wide Lane Dimensions



Three Lanes Dimensions

